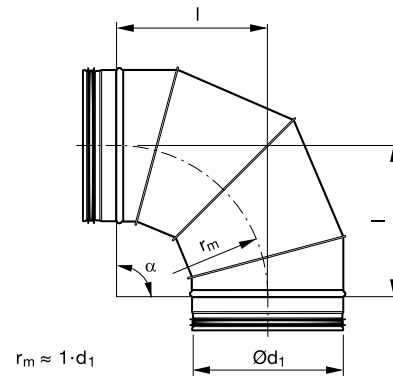


# Bend – lockseamed

# BFU 90



## Dimensions

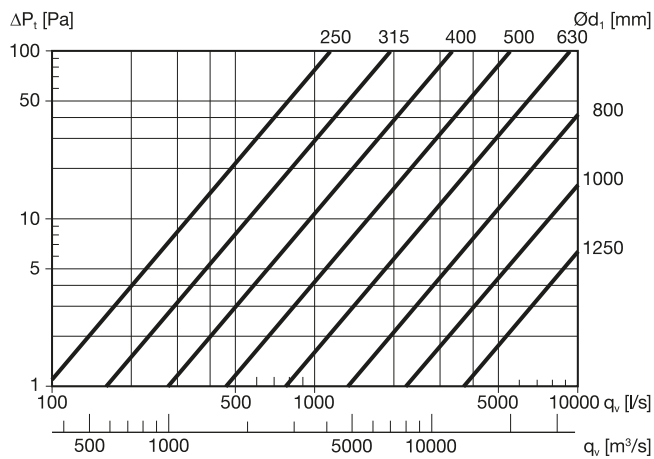


## Description

Segmented and lockseamed bend.

## Technical data

### Pressure loss



| Ød <sub>1 nom</sub> mm | l mm | m kg | Number of segments |
|------------------------|------|------|--------------------|
| 250                    | 250  | 2,20 | 4                  |
| 280                    | 280  | 2,50 | 4                  |
| 300                    | 300  | 2,7  | 4                  |
| 315                    | 315  | 3,00 | 4                  |
| 355                    | 355  | 3,75 | 4                  |
| 400                    | 400  | 5,64 | 4                  |
| 450                    | 450  | 7,00 | 4                  |
| 500                    | 500  | 8,20 | 4                  |
| 560                    | 560  | 10,1 | 4                  |
| 600                    | 600  | 11,7 | 4                  |
| 630                    | 630  | 12,9 | 4                  |
| 710                    | 710  | 19,8 | 4                  |
| 800                    | 800  | 26,0 | 4                  |
| 900                    | 900  | 33,6 | 4                  |
| 1000                   | 1000 | 42,0 | 5                  |
| 1120                   | 1120 | 52,6 | 5                  |
| 1250                   | 1250 | 64,0 | 5                  |

Larger dimensions available on request.

## Order code

|                           |     |
|---------------------------|-----|
| Product                   | BFU |
| Dimension Ød <sub>1</sub> | 315 |
| Angle α                   | 90  |

Order example: BFU-315-90

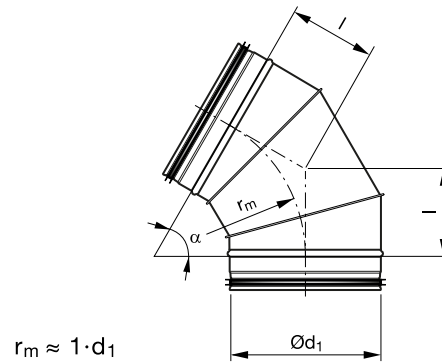


# Bend – lockseamed

# BFU 60



## Dimensions

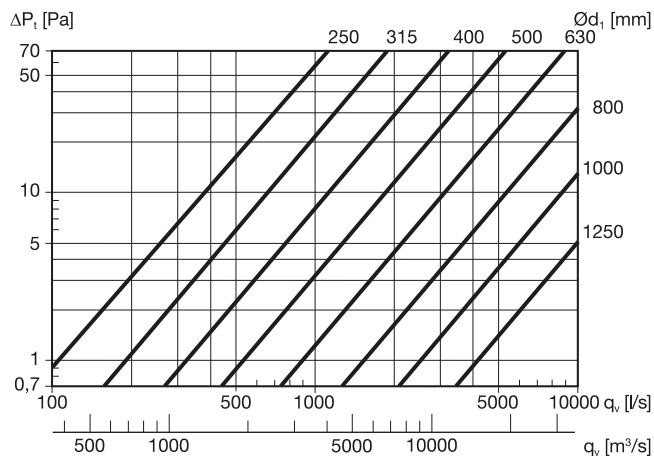


## Description

Segmented and lockseamed bend.

## Technical data

### Pressure loss



| $\text{O}d_1$ nom<br>mm | l<br>mm | m<br>kg |
|-------------------------|---------|---------|
| 250                     | 144     | 1,48    |
| 280                     | 162     | 1,80    |
| 300                     | 173     | 2,00    |
| 315                     | 182     | 2,20    |
| 355                     | 205     | 2,80    |
| 400                     | 231     | 3,47    |
| 450                     | 260     | 4,70    |
| 500                     | 289     | 6,00    |
| 560                     | 323     | 7,40    |
| 600                     | 346     | 8,60    |
| 630                     | 364     | 9,20    |
| 710                     | 410     | 11,3    |
| 800                     | 462     | 14,8    |
| 900                     | 520     | 19,3    |
| 1000                    | 577     | 24,2    |
| 1120                    | 647     | 30,1    |
| 1250                    | 722     | 36,6    |

Larger dimensions available on request.

## Order code

|                         |     |
|-------------------------|-----|
| Product                 | BFU |
| Dimension $\text{O}d_1$ | 315 |
| Angle $\alpha$          | 60  |

Order example: BFU-315-60

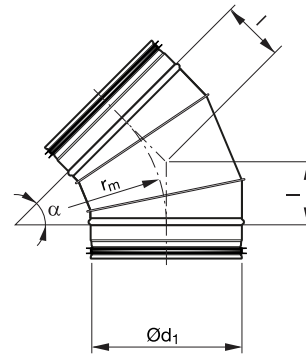


# Bend – lockseamed

# BFU 45



## Dimensions

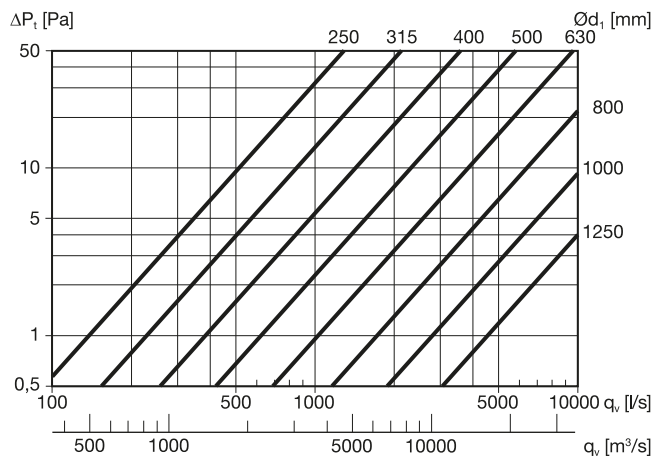


## Description

Segmented and lockseamed bend.

## Technical data

### Pressure loss



| $\text{Ø}d_1$ nom<br>mm | l<br>mm | m<br>kg |
|-------------------------|---------|---------|
| 250                     | 104     | 1,26    |
| 280                     | 116     | 1,54    |
| 300                     | 124     | 1,77    |
| 315                     | 130     | 1,90    |
| 355                     | 147     | 2,26    |
| 400                     | 166     | 2,96    |
| 450                     | 186     | 4,00    |
| 500                     | 207     | 4,90    |
| 560                     | 232     | 6,10    |
| 600                     | 249     | 6,80    |
| 630                     | 261     | 7,49    |
| 710                     | 294     | 11,3    |
| 800                     | 331     | 15,0    |
| 900                     | 373     | 16,8    |
| 1000                    | 414     | 19,5    |
| 1120                    | 464     | 28,5    |
| 1250                    | 518     | 38,0    |

Larger dimensions available on request.

## Order code

|                         |     |
|-------------------------|-----|
| Product                 | BFU |
| Dimension $\text{Ø}d_1$ | 315 |
| Angle $\alpha$          | 45  |

Order example: **BFU-315-45**

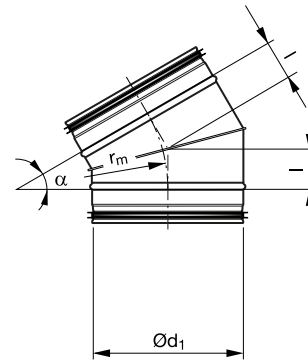


# Bend – lockseamed

# BFU 30



## Dimensions



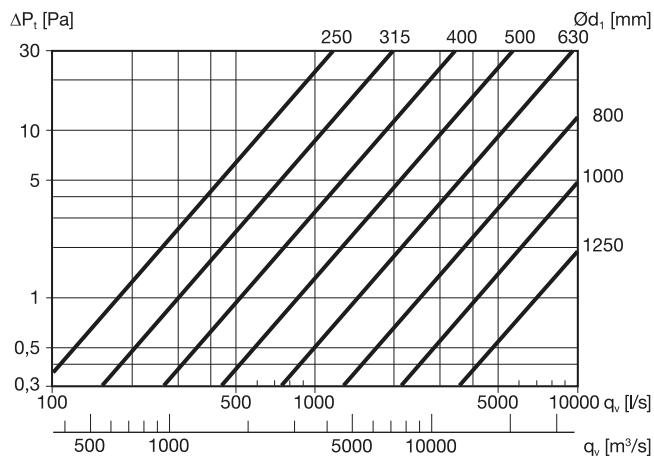
$$r_m \approx 1 \cdot d_1$$

## Description

Segmented and lockseamed bend.

## Technical data

### Pressure loss



| $\varnothing d_1$ nom<br>mm | l<br>mm | m<br>kg |
|-----------------------------|---------|---------|
| 250                         | 67      | 1,00    |
| 280                         | 75      | 1,10    |
| 300                         | 80      | 1,30    |
| 315                         | 84      | 1,42    |
| 355                         | 95      | 1,70    |
| 400                         | 107     | 2,27    |
| 450                         | 121     | 3,00    |
| 500                         | 134     | 3,70    |
| 560                         | 150     | 4,60    |
| 600                         | 161     | 5,10    |
| 630                         | 169     | 5,60    |
| 710                         | 190     | 8,60    |
| 800                         | 214     | 11,0    |
| 900                         | 241     | 10,9    |
| 1000                        | 268     | 13,4    |
| 1120                        | 300     | 16,1    |
| 1250                        | 335     | 19,0    |

Larger dimensions available on request.

## Order code

|                             |     |
|-----------------------------|-----|
| Product                     | BFU |
| Dimension $\varnothing d_1$ | 315 |
| Angle $\alpha$              | 30  |

Order example: **BFU-315-30**

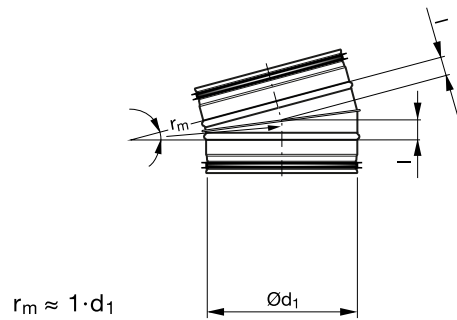


# Bend – lockseamed

# BFU 15



## Dimensions

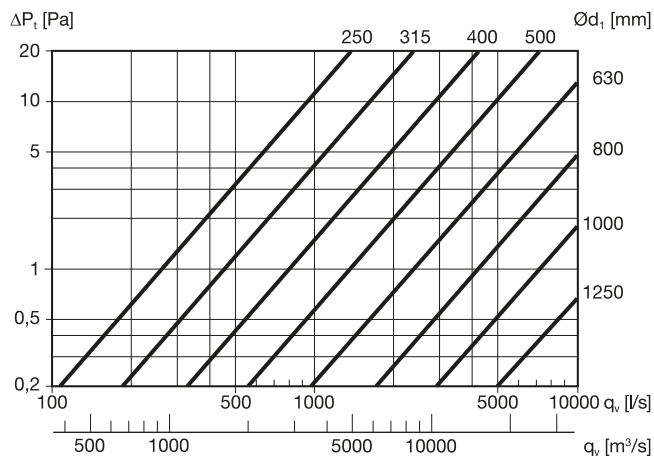


## Description

Segmented and lockseamed bend.

## Technical data

### Pressure loss



| $\varnothing d_1$ nom<br>mm | l<br>mm | m<br>kg |
|-----------------------------|---------|---------|
| 250                         | 33      | 0,65    |
| 280                         | 37      | 0,77    |
| 300                         | 39      | 0,85    |
| 315                         | 41      | 0,91    |
| 355                         | 47      | 1,41    |
| 400                         | 53      | 1,70    |
| 450                         | 59      | 2,20    |
| 500                         | 66      | 2,65    |
| 560                         | 74      | 3,30    |
| 600                         | 79      | 3,70    |
| 630                         | 83      | 4,00    |
| 710                         | 93      | 5,80    |
| 800                         | 105     | 7,00    |
| 900                         | 118     | 8,50    |
| 1000                        | 132     | 10,4    |
| 1120                        | 147     | 12,5    |
| 1250                        | 165     | 14,5    |

Larger dimensions available on request.

## Order code

|                             |     |
|-----------------------------|-----|
| Product                     | BFU |
| Dimension $\varnothing d_1$ | 315 |
| Angle $\alpha$              | 15  |

Order example: **BFU-315-15**

