

T-piece

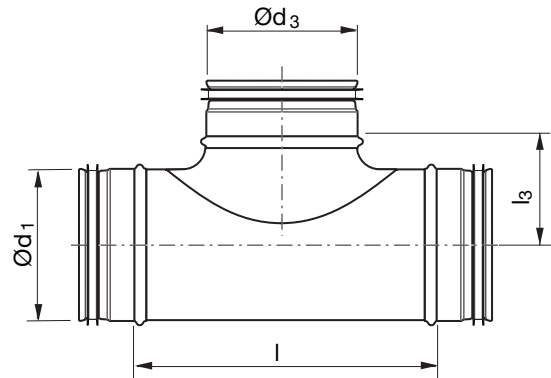
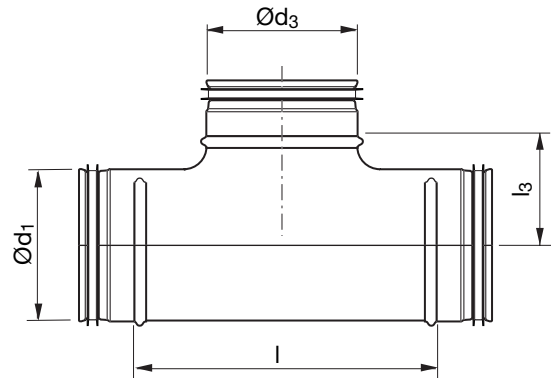
TCPU



Description

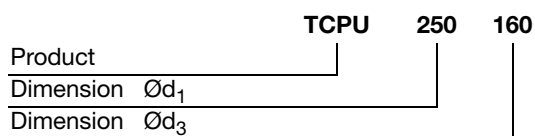
T-piece built with PSU saddle or a fully pressed top section.

Dimensions



| Ød ₁ nom | Ød ₃ nom | l [mm] | l ₃ [mm] | m [kg] |
|------------------------|------------------------|-----------|------------------------|-----------|
| 63 | 63 | 125 | 42 | 0,26 |
| 80 | 63 | 125 | 50 | 0,31 |
| 80 | 80 | 140 | 52 | 0,36 |
| 100 | 63 | 125 | 60 | 0,35 |
| 100 | 80 | 97 | 60 | 0,23 |
| 100 | 100 | 130 | 65 | 0,32 |
| 112 | 63 | 125 | 66 | 0,41 |
| 112 | 80 | 140 | 68 | 0,47 |
| 112 | 100 | 175 | 71 | 0,55 |
| 112 | 112 * | 140 | 81 | 0,57 |
| 125 | 63 | 125 | 73 | 0,44 |
| 125 | 80 | 97 | 72 | 0,34 |
| 125 | 100 | 130 | 78 | 0,37 |
| 125 | 112 | 175 | 88 | 0,61 |
| 125 | 125 | 165 | 83 | 0,44 |
| 140 | 80 | 140 | 82 | 0,56 |
| 140 | 100 | 175 | 85 | 0,65 |
| 140 | 112 | 175 | 95 | 0,67 |
| 140 | 125 * | 215 | 95 | 0,76 |
| 140 | 140 | 230 | 90 | 0,78 |
| 150 | 80 | 140 | 87 | 0,58 |
| 150 | 100 | 175 | 90 | 0,69 |
| 150 | 125 | 215 | 95 | 0,76 |

Ordering example



T-piece

TCPU

| Ød ₁ nom | Ød ₃ nom | l [mm] | l ₃ [mm] | m [kg] |
|------------------------|------------------------|-----------|------------------------|-----------|
| 150 | 140 | 230 | 95 | 0,82 |
| 150 | 150 | 260 | 95 | 0,94 |
| 160 | 80 | 140 | 92 | 0,59 |
| 160 | 100 | 130 | 95 | 0,46 |
| 160 | 125 | 166 | 100 | 0,53 |
| 160 | 140 | 230 | 100 | 0,87 |
| 160 | 150 | 260 | 100 | 0,99 |
| 160 | 160 | 209 | 105 | 0,63 |
| 180 | 80 | 140 | 102 | 0,92 |
| 180 | 100 | 175 | 105 | 0,80 |
| 180 | 125 | 215 | 110 | 0,91 |
| 180 | 140 | 230 | 110 | 0,96 |
| 180 | 150 | 260 | 110 | 1,08 |
| 180 | 160 | 260 | 115 | 1,06 |
| 180 | 180 | 285 | 115 | 1,44 |
| 200 | 80 | 140 | 112 | 0,77 |
| 200 | 100 | 175 | 115 | 0,88 |
| 200 | 125 | 215 | 120 | 1,02 |
| 200 | 140 | 230 | 120 | 1,07 |
| 200 | 150 | 260 | 120 | 1,19 |
| 200 | 160 | 209 | 125 | 0,67 |
| 200 | 180 | 285 | 125 | 1,35 |
| 200 | 200 | 249 | 125 | 1,21 |
| 224 | 80 | 140 | 124 | 0,85 |
| 224 | 100 | 175 | 127 | 1,01 |
| 224 | 125 | 215 | 132 | 1,14 |
| 224 | 140 | 230 | 132 | 1,20 |
| 224 | 150 | 260 | 132 | 1,29 |
| 224 | 160 | 260 | 137 | 1,28 |
| 224 | 180 | 285 | 137 | 1,46 |
| 224 | 200 | 346 | 137 | 1,69 |
| 250 | 80 | 156 | 137 | 1,13 |
| 250 | 100 | 175 | 140 | 1,22 |
| 250 | 125 | 220 | 145 | 1,48 |
| 250 | 140 | 230 | 145 | 1,48 |
| 250 | 150 | 255 | 145 | 1,55 |
| 250 | 160 | 256 | 150 | 1,58 |
| 250 | 180 | 306 | 150 | 1,79 |
| 250 | 200 | 237 | 151 | 1,16 |
| 250 | 224 | 350 | 150 | 2,09 |
| 250 | 250 | 296 | 150 | 1,65 |
| 280 | 80 | 156 | 152 | 1,25 |
| 280 | 100 | 175 | 155 | 1,37 |
| 280 | 125 | 220 | 160 | 1,56 |
| 280 | 140 | 230 | 160 | 1,63 |
| 280 | 150 | 255 | 160 | 1,72 |
| 280 | 160 | 256 | 165 | 1,75 |

| Ød ₁ nom | Ød ₃ nom | l [mm] | l ₃ [mm] | m [kg] |
|------------------------|------------------------|-----------|------------------------|-----------|
| 280 | 180 | 306 | 165 | 1,97 |
| 280 | 200 | 306 | 165 | 2,01 |
| 280 | 224 | 350 | 165 | 2,27 |
| 280 | 250 * | 350 | 165 | 2,44 |
| 280 | 280 * | 390 | 165 | 2,67 |
| 300 | 80 | 156 | 162 | 1,36 |
| 300 | 100 | 175 | 165 | 1,47 |
| 300 | 125 | 220 | 170 | 1,68 |
| 300 | 140 | 230 | 170 | 1,74 |
| 300 | 150 | 255 | 170 | 1,86 |
| 300 | 160 | 256 | 175 | 1,87 |
| 300 | 180 | 306 | 175 | 2,12 |
| 300 | 200 | 306 | 175 | 2,15 |
| 300 | 224 | 350 | 175 | 2,41 |
| 300 | 250 | 350 | 175 | 2,50 |
| 300 | 280 * | 390 | 175 | 2,53 |
| 300 | 300 | 430 | 175 | 3,55 |
| 315 | 80 | 156 | 170 | 1,43 |
| 315 | 100 | 175 | 173 | 1,50 |
| 315 | 125 | 220 | 178 | 1,76 |
| 315 | 140 | 230 | 178 | 1,82 |
| 315 | 150 | 255 | 178 | 2,38 |
| 315 | 160 | 256 | 182 | 1,96 |
| 315 | 180 | 306 | 182 | 2,21 |
| 315 | 200 | 237 | 185 | 1,45 |
| 315 | 224 | 350 | 182 | 2,51 |
| 315 | 250 | 300 | 185 | 2,00 |
| 315 | 280 | 390 | 182 | 3,00 |
| 315 | 300 | 430 | 182 | 3,21 |
| 315 | 315 | 363 | 182 | 2,20 |
| 355 | 100 | 175 | 193 | 1,73 |
| 355 | 125 | 220 | 198 | 1,96 |
| 355 | 140 | 230 | 198 | 2,03 |
| 355 | 150 | 255 | 198 | 2,46 |
| 355 | 160 | 256 | 203 | 2,45 |
| 355 | 180 | 306 | 203 | 2,81 |
| 355 | 200 | 306 | 203 | 2,82 |
| 355 | 224 | 350 | 203 | 3,13 |
| 355 | 250 | 350 | 203 | 3,18 |
| 355 | 280 * | 390 | 203 | 3,63 |
| 355 | 300 | 430 | 203 | 3,87 |
| 355 | 315 | 415 | 203 | 4,06 |
| 355 | 355 * | 470 | 203 | 5,14 |
| 400 | 100 | 175 | 215 | 2,27 |
| 400 | 125 | 225 | 200 | 2,81 |
| 400 | 160 | 266 | 225 | 3,02 |
| 400 | 200 | 300 | 225 | 3,37 |

T-piece

TCPUR

| Ød ₁ nom | Ød ₃ nom | l [mm] | l ₃ [mm] | m [kg] |
|------------------------|------------------------|-----------|------------------------|-----------|
| 400 | 224 | 350 | 225 | 3,74 |
| 400 | 250 | 350 | 225 | 3,79 |
| 400 | 280 * | 390 | 225 | 4,23 |
| 400 | 300 | 430 | 225 | 4,47 |
| 400 | 315 | 415 | 225 | 4,42 |
| 400 | 355 * | 470 | 225 | 5,04 |
| 400 | 400 | 510 | 225 | 6,20 |
| 450 | 100 | 175 | 240 | 2,76 |
| 450 | 125 | 225 | 245 | 3,15 |
| 450 | 160 | 266 | 250 | 3,38 |
| 450 | 200 | 300 | 250 | 3,75 |
| 450 | 224 | 350 | 250 | 4,16 |
| 450 | 250 | 350 | 250 | 4,23 |
| 450 | 280 * | 390 | 250 | 4,64 |
| 450 | 300 | 430 | 250 | 4,89 |
| 450 | 315 | 415 | 250 | 4,82 |
| 450 | 355 | 470 | 250 | 5,16 |
| 450 | 400 | 510 | 250 | 5,81 |
| 450 | 450 * | 550 | 250 | 6,99 |
| 500 | 100 | 175 | 265 | 3,06 |
| 500 | 125 | 225 | 270 | 3,35 |
| 500 | 160 | 266 | 275 | 3,77 |
| 500 | 200 | 300 | 275 | 4,14 |
| 500 | 250 | 350 | 275 | 4,68 |
| 500 | 300 | 430 | 275 | 5,36 |
| 500 | 315 | 415 | 275 | 5,30 |
| 500 | 355 | 470 | 275 | 5,70 |
| 500 | 400 | 510 | 275 | 6,34 |
| 500 | 450 * | 550 | 275 | 6,56 |
| 500 | 500 * | 552 | 290 | 8,27 |
| 560 | 100 | 175 | 295 | 3,59 |
| 560 | 125 | 225 | 300 | 3,92 |
| 560 | 160 | 266 | 305 | 4,41 |
| 560 | 200 | 300 | 305 | 4,78 |
| 560 | 250 | 350 | 305 | 5,38 |
| 560 | 300 | 430 | 305 | 5,86 |
| 560 | 315 | 415 | 305 | 6,06 |
| 560 | 355 | 470 | 305 | 6,57 |
| 560 | 400 | 510 | 305 | 7,08 |
| 560 | 450 * | 550 | 305 | 7,38 |
| 560 | 500 * | 552 | 320 | 7,57 |
| 560 | 560 * | 610 | 320 | 9,69 |
| 600 | 100 | 175 | 315 | 3,83 |
| 600 | 125 | 225 | 320 | 4,19 |
| 600 | 160 | 266 | 325 | 4,73 |
| 600 | 200 | 300 | 325 | 5,10 |
| 600 | 250 | 350 | 325 | 5,73 |

| Ød ₁ nom | Ød ₃ nom | l [mm] | l ₃ [mm] | m [kg] |
|------------------------|------------------------|-----------|------------------------|-----------|
| 600 | 300 * | 430 | 325 | 6,36 |
| 600 | 315 | 415 | 325 | 6,46 |
| 600 | 355 * | 470 | 325 | 6,98 |
| 600 | 400 | 510 | 325 | 7,43 |
| 600 | 450 * | 550 | 325 | 7,84 |
| 600 | 500 * | 552 | 340 | 7,91 |
| 600 | 560 * | 610 | 340 | 8,76 |
| 600 | 600 * | 650 | 340 | 10,8 |
| 630 | 100 | 175 | 330 | 4,03 |
| 630 | 125 | 225 | 335 | 4,41 |
| 630 | 160 | 266 | 340 | 4,99 |
| 630 | 200 | 300 | 340 | 5,35 |
| 630 | 250 | 350 | 340 | 6,00 |
| 630 | 300 * | 450 | 340 | 7,23 |
| 630 | 315 | 415 | 340 | 6,77 |
| 630 | 355 * | 470 | 340 | 7,18 |
| 630 | 400 | 510 | 340 | 7,69 |
| 630 | 450 * | 555 | 340 | 8,24 |
| 630 | 500 * | 552 | 355 | 8,44 |
| 630 | 560 * | 610 | 355 | 9,11 |
| 630 | 600 * | 650 | 355 | 9,58 |
| 630 | 630 * | 680 | 355 | 11,3 |

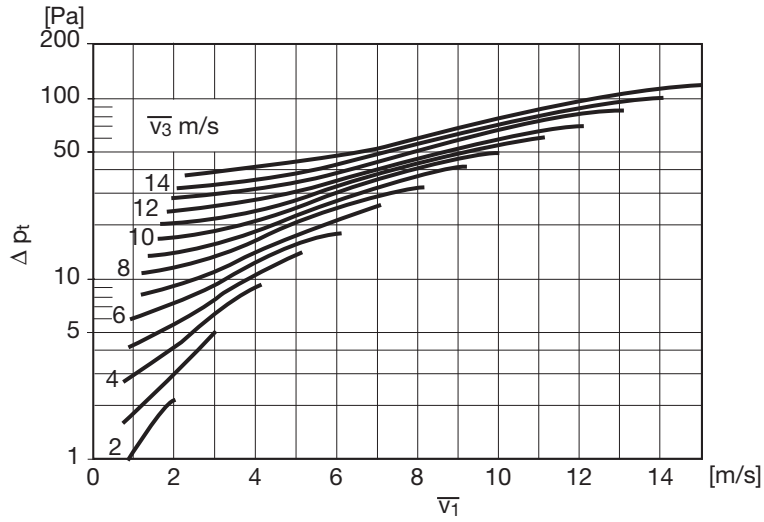
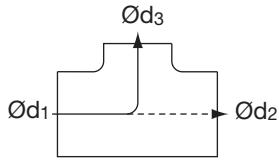
* Hand made with saddle without radius.

T-piece and saddle

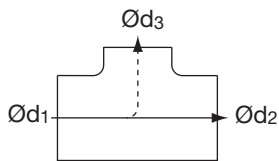
T-CPU, PSU

Supply air

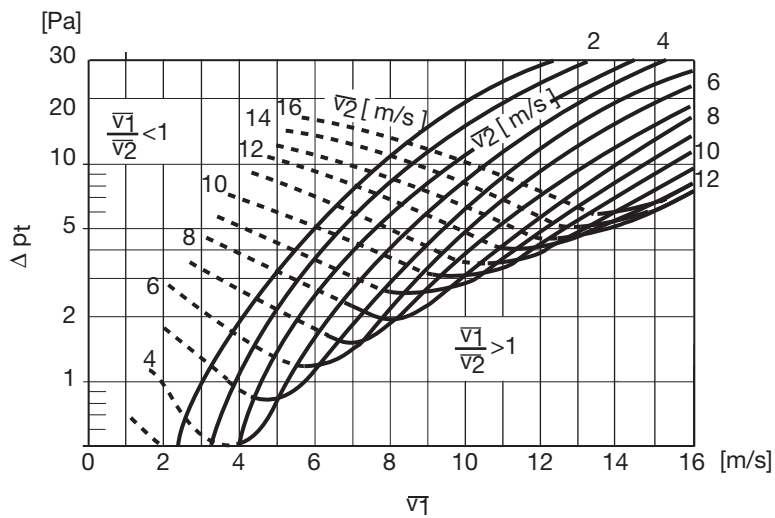
Diverging flow



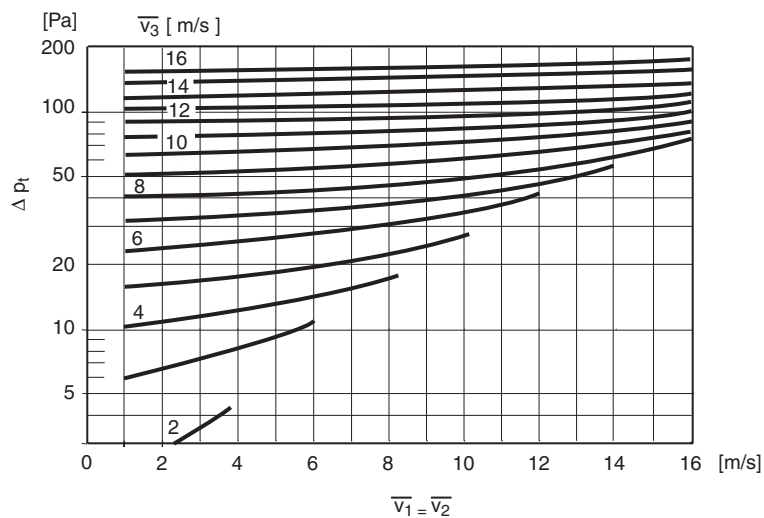
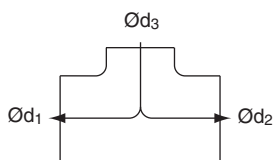
Diverging flow



The diagram is also applicable to reduction in Ød_2 .



Diverging flow

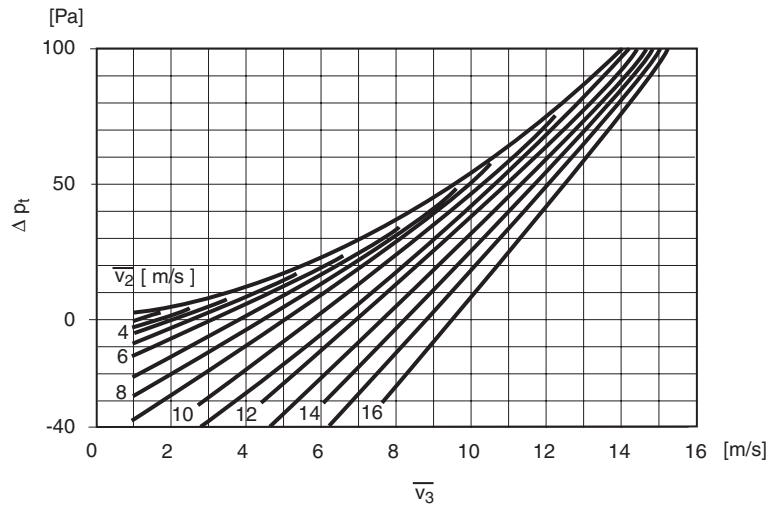
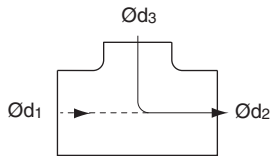


T-piece and saddle

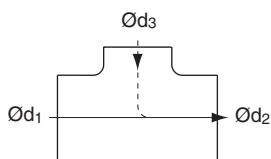
T-CPU, PSU

Extract air

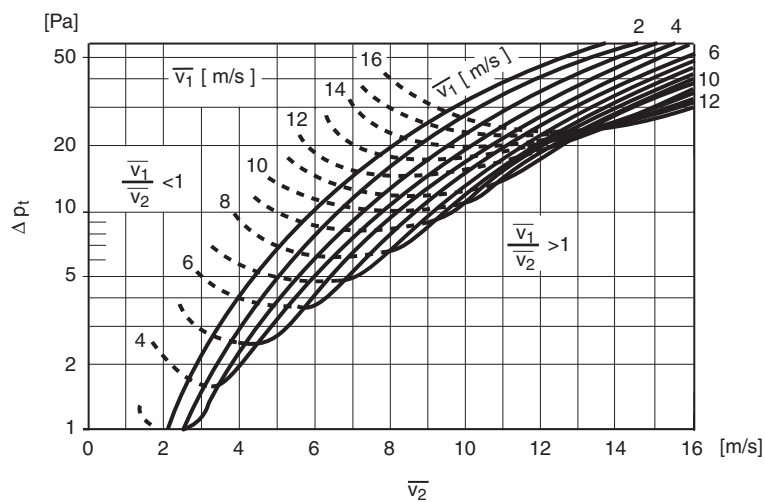
Converging flow



Converging flow



The diagram is also applicable to reduction in Ød_1 .



Converging flow

