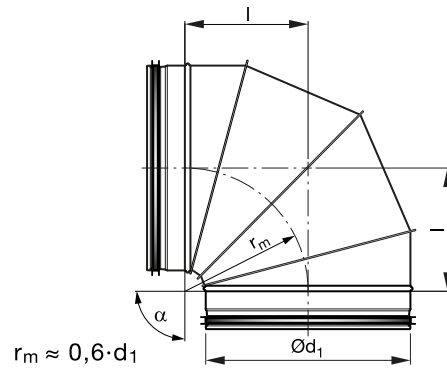


Bend – short, lockseamed

BKFU 90



Dimensions



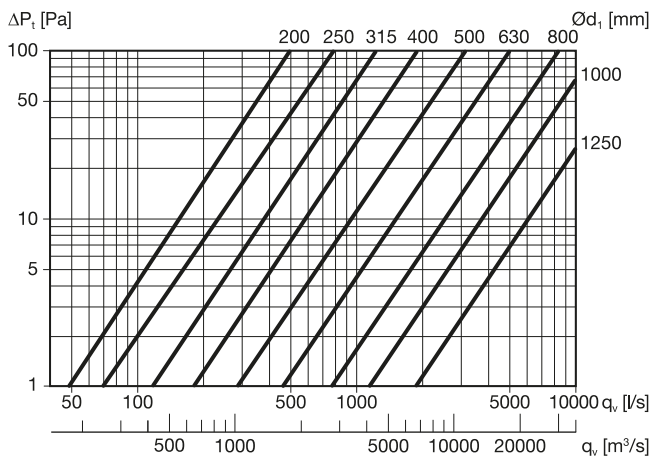
Larger dimensions available on request.

Description

Segmented and lockseamed bend with short installation length.

Technical data

Pressure loss



$\text{Ø}d_{1 \text{ nom}}$ mm	l mm	m kg
200	158	1,18
250	180	1,64
315	220	2,49
400	255	3,61
500	315	6,30
630	397	9,45
800	470	18,0
1000	570	26,9
1250	695	38,8

Larger dimensions available on request.

Order code

Product	BKFUSS
Dimension $\text{Ø}d_1$	250
Angle α	90

Order example: BKFUSS-250-90